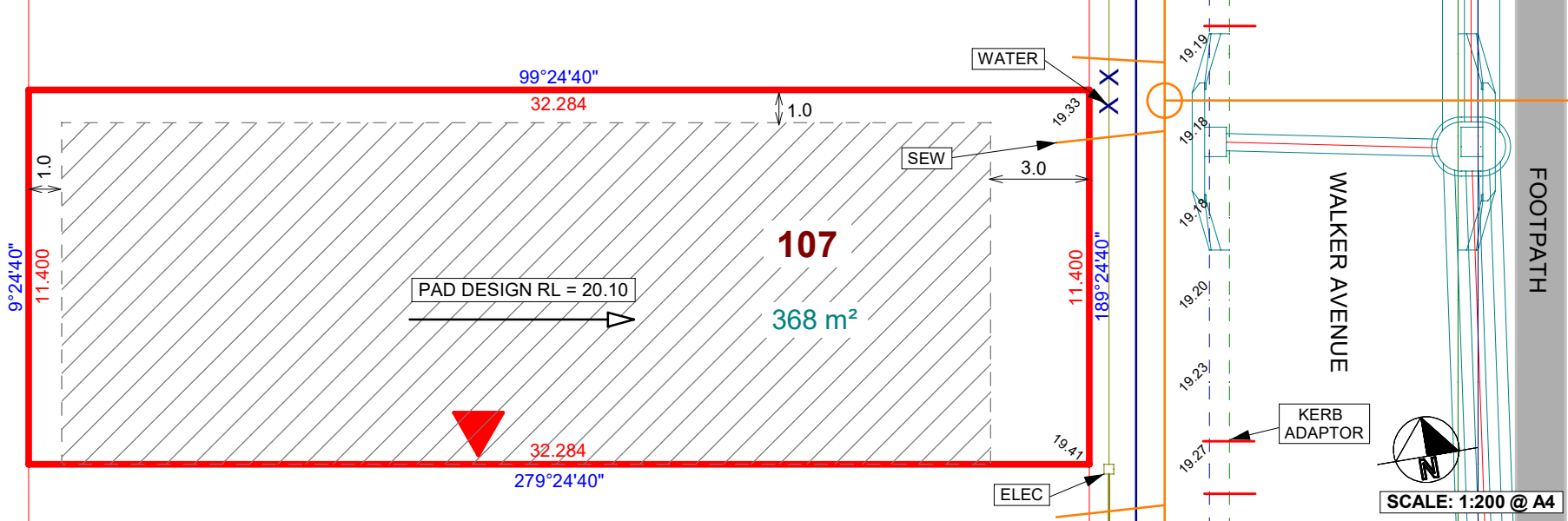
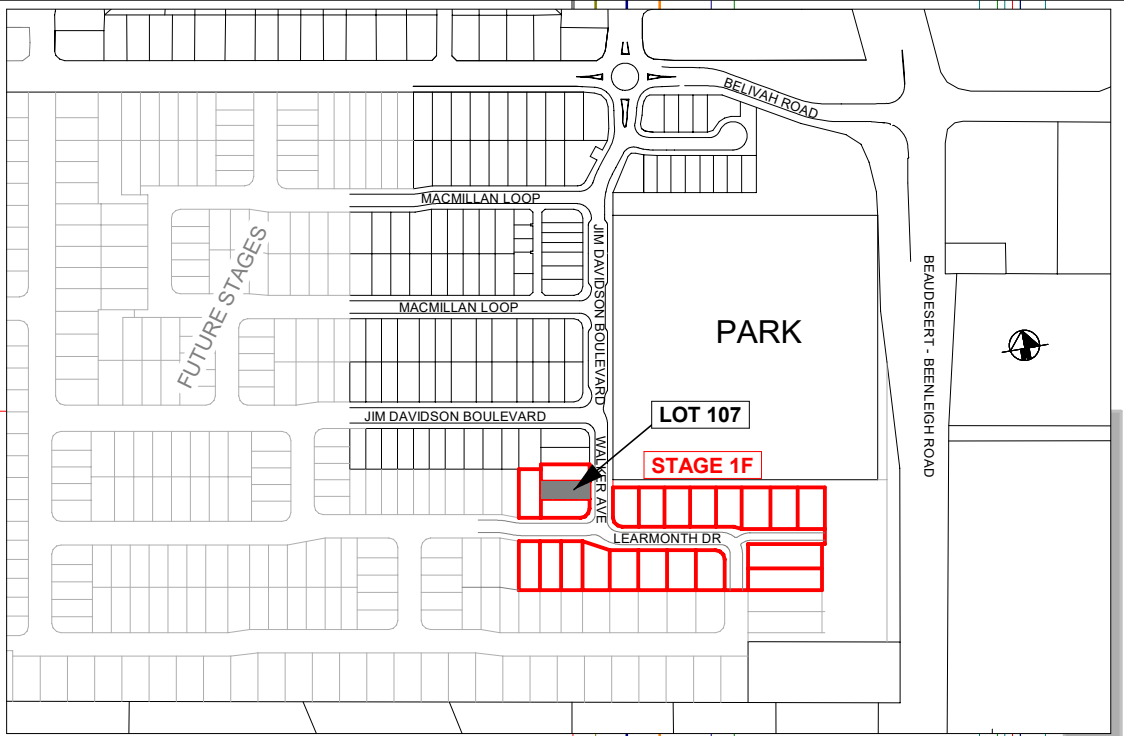


NOTE: ALL DRIVEWAY CROSS OVER DESIGNS TO ADHERE TO COUNCIL STANDARDS REFER RS-049 & RS-050 STND DRAWINGS

NOTE: FOR DEVELOPMENT PARAMETERS, BUILDING SET BACK AND ENVELOPES REFER TO LCC COM/39/2016B APPROVAL



**DAVIDSON'S AT BELIVAH - STAGE 1F
LOT 107 DRAFT DISCLOSURE PLAN**

DRAFT

DATE: 26/08/2020
DRAWN: AB
EMAIL: nvolker@bigpond.net.au
PH: 0411 759 765

SCALE: 1:200 @ A4