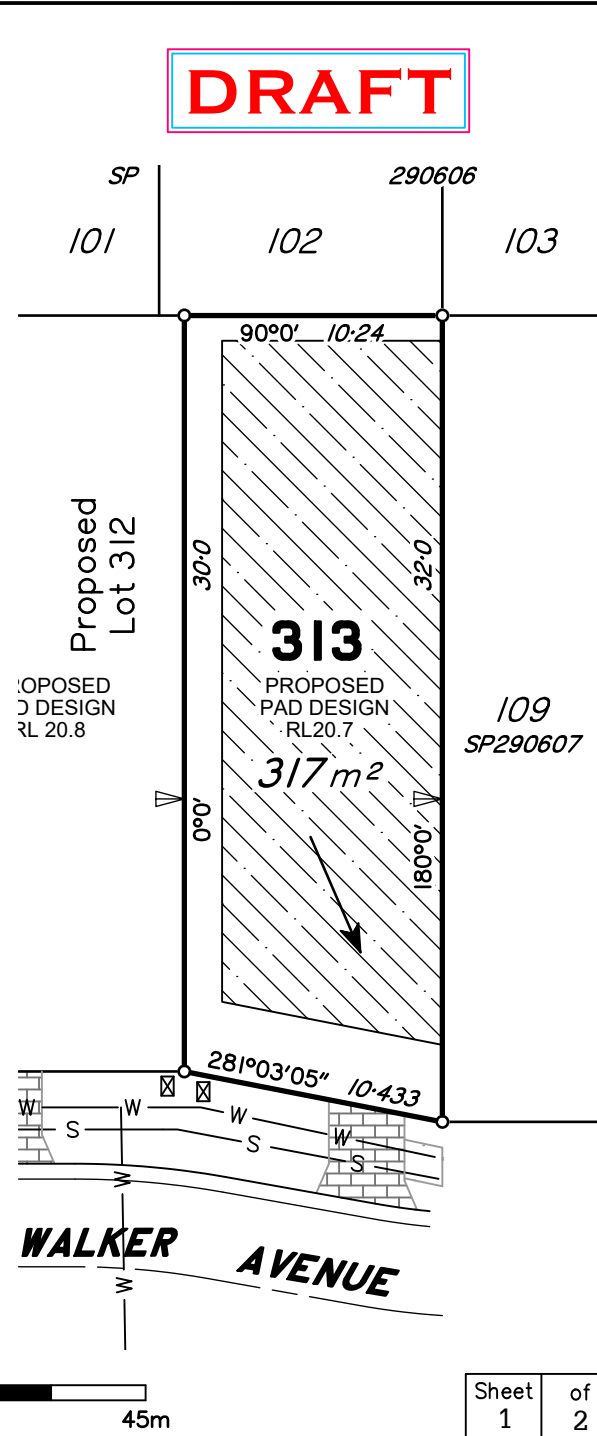
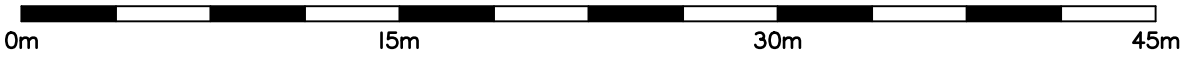


See also SHEET 2 of this drawing which refers to Bldg Envelope Logan PD Online Com/5/2023 Approved Plans Sheet 8 Bldg Setbacks

Scale 1 : 300 (at A4)



**DISCLOSURE PLAN**  
 For Lot **313** (on SP290612)  
 Walker Avenue  
 BELIVAH, QLD

Sheet 1 of 2

Described as Part of Lot 600 on SP290611  
 Local Authority: LOGAN C.C.  
 Map Ref: 9542-31411

**IMPORTANT NOTES:**  
 These notes are an integral part of the plan. This plan has been prepared for Davidsons At Belivah for the purposes of a Disclosure Plan under the Land Sales Act 1984. It is not to be used for any other purpose and is subject to the following limitations. The lot dimensions and areas shown hereon are subject to final survey and also subject to Council and other authorities. Notwithstanding the limits of filling shown, the actual limits shall be determined on site by the engineer during construction. Compaction of any fill material placed on this site shall be completed under inspection and testing services in accordance with AS3798-2007. Location of sewer, stormwater, water, electric and communications are shown from engineering drawings and may differ from the as constructed location. These drawings are copyright and are not to be used or reproduced without the written permission of NH Volker and Co Pty Ltd.

**AUTHORISATION:**

Neville Henry VOLKER Date: \_\_\_\_\_  
 Cadastral Surveyor

<b>DATE</b> 29/11/2023	<b>SURVEYED</b> -
<b>SCALE</b> 1 : 300 (A4)	<b>DRAWN</b> BD23132
<b>LEVEL DATUM</b> A.H.D	<b>CHECKED</b> NHV

**CONTOUR INTERVAL** ....



Sheet 1 of 2

**DRAWING NO: BLV014\_DP 313**

BD23132

